

Hardware Spec

PARAMETER	DETAIL
Lock Weight	6 Lb
Working Current	<10 mA
Idle Current	5 μ A
Lock Back Time	5 (1 – 25) Seconds
Working Voltage	4.8-6.4V
Low Battery Warning	4.8V or lower
Power Source	4 AA Alkaline Batteries
Keypad	Weather Proof Keypad
Handle	Reversible Lever
Door Thickness	1 3/8" to 2"
Keyway	Schlage C 6
Packed Weight	
Packed Size	
CTN Weight	
CTN Size	



Functions

DESCRIPTION	SOFTWARE	NON-SOFTWARE
Audit Trail	Yes (3000 entries)	N/A
iButton Key Users	800	1000 (Combine iButton and code)
Pass Code Users	300	See above
Timed Operation		
Auto Lock/Auto Unlock	Different schedule daily or weekly	Same hour everyday
Auto Changing Mode	Changing daily or weekly	N/A
Time Shift User	Changing daily or weekly	Changing daily or weekly
Remote Access	Yes (iKeypad Software)	Yes (TK Software)
Storehouse/Classroom Mode	Yes	Yes
One Time Use	Yes	Yes
iButton User	Yes	N/A
Onsite Code User	Yes (10)	Yes (10)
Offsite Code User	Yes	N/A
One-Touch Lock from Inside	Yes	Yes
Daylight Saving	Yes	Yes
Lock Out Function	Yes	Yes
User Key Assignment Method	Software + Programming Key	Keypad
Software Package	Yes	(Optional)

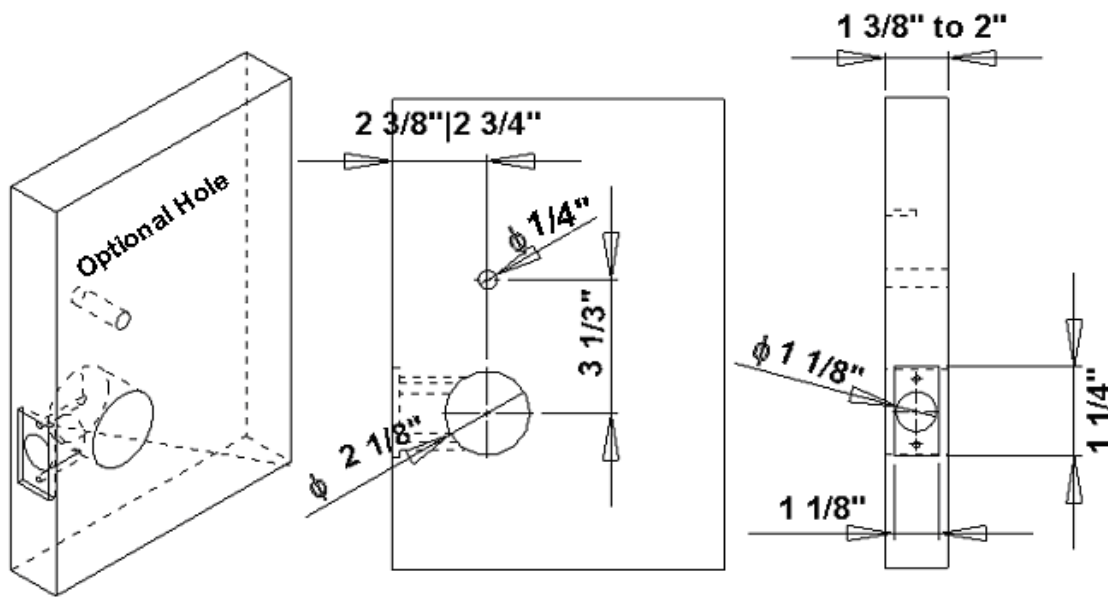
Ordering Information

PART	DESCRIPTION
E4IKSC01	E-IV TM + Keypad Satin Chrome Lockset SW Version
E4IKSC02	E-IV TM + Keypad Satin Chrome Lockset No SW Version
ECYLSC6M	Eternity Schlage C 6-Pin Master Key Cylinder
ACCESSORIES	DESCRIPTION
D1977K	DS1977 Programming Key
D1994K	DS1994 Internal Clock Key
D1990K	DS1990 iButton User Key
UIBPCR	iButton Reader (iButton PC Receptor)
USBPCA	USB PC Adapter
EternitySWCD	Eternity Lock Management Software CD

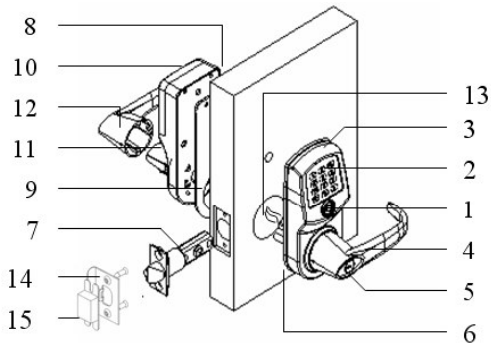
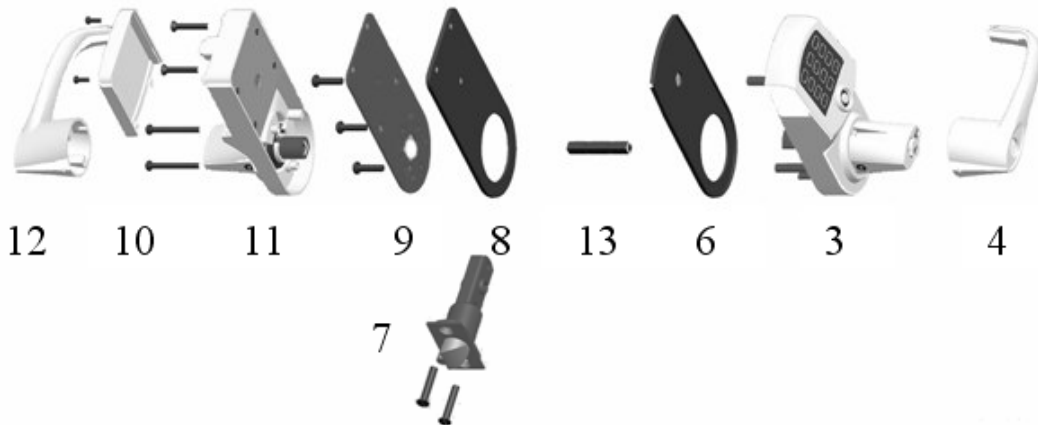
Pack List:

1. Front Handle
2. Back Handle
3. Front Lock
4. Back Lock
5. Accessory Box
 - Latch
 - Cylinder
 - Screws

Door Prep



Parts List



1	iButton Reader	9	Inside Mounting Plate
2	Keypad	10	Batteries Housing Cover
3	Outside Lock Housing	11	Inside Lock Housing
4	Outside Lever	12	Inside lever
5	Override Cylinder	13	Spindle
6	Outside Gasket	14	Strike Plate
7	Latch	15	Dust Boot
8	Inside Gasket		

Eternity IV Installation Instruction

Step 1. Install the latch

- Insert the latch into 1" hole on edge of the door.
- Secure the latch in place with two screws.

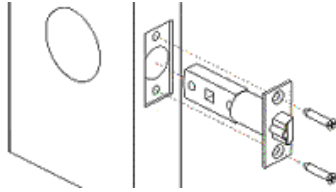


Fig. 1

Step 2. Install outside lock housing

- Place the outside gasket (if required) on back of the outside lock housing prior to the assembly; align the gasket along the edge of the lock housing.
- Insert the square spindle into the center hub and turn the spindle until it locks. Ensure that the **Dot on center hub is point to left**.

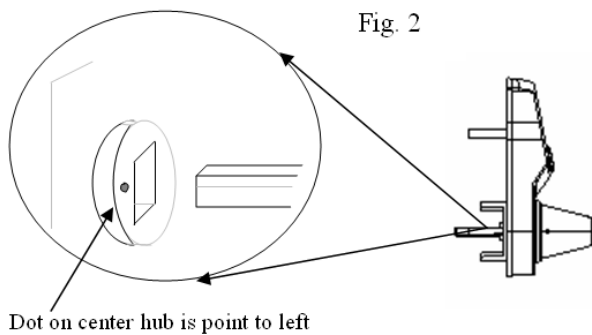


Fig. 2

Dot on center hub is point to left

- Place the outside lock housing against the door, feed the power plug through the 2 1/8" door hole.

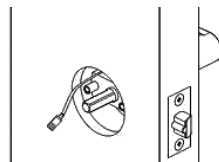


Fig. 3

Step 3. Install inside mounting plate

- Place the inside gasket (if required) on the mounting plate, and align the inside gasket with the position hole.
- Feed the power plug through the small hole on the mounting plate.
- Place the mounting plate against the door, and secure the mounting plate attach to outside lock housing with three screws.



Fig. 4

Step 4. Install inside lock housing

- Plug the power cable into the inside lock housing.
- Place inside lock housing on top of the mounting plate,
- Ensure the square spindle into inside lever hub. Secure the inside lock housing with two screws.

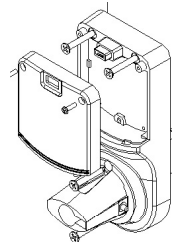


Fig. 5

Step 5. Install inside lever door handle.

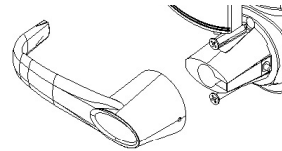


Fig. 6

Step 6. Install outside lever door handle

- Ensure override shaft inside the cylinder housing is in vertical position (use flat screw driver to adjust the position when needed)

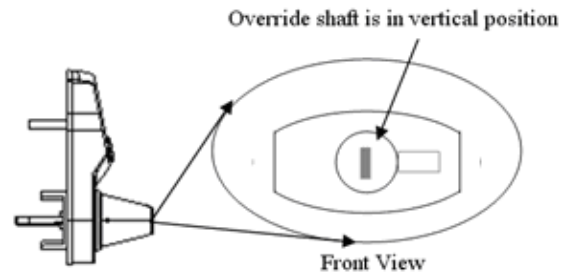


Fig. 7

- Place the key cylinder into the outside lever door handle, insert the manual key to the cylinder and turn clockwise 90 degrees.
- Guide the cylinder into the cylinder housing and snap the lever door handle into the lever catch pin
- Turn the manual key counter clockwise 90 degree and pull the key out

Step 7. Install Strike plate

- Inset the dust boot into the doorframe.
- Place the strike plate over the dust boot.
- Secure the plate in place with two screws.

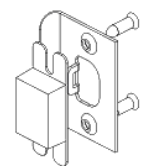


Fig. 8